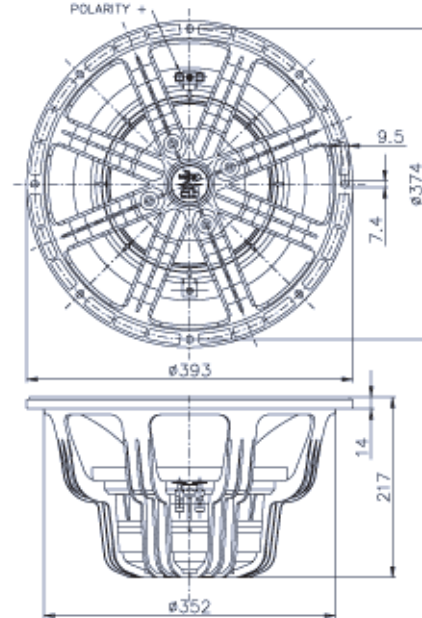




# 15XL1400 High Performance Series



## NOMINAL SPECIFICATIONS

Nominal Diameter	380 mm (15 in)
Overall Diameter	393 mm (15.47 in)
Bolt Circle Diameter	374 mm (14.72 in)
Baffle Cutout Diameter	351.8 mm (13.85 in)
Depth	215 mm (8.46 in)
Flange and Gasket Thickness	13.7 mm (0.54 in)
Net Weight	11.2 Kg (24.7 lb)
Shipping Box (Single Carton Box)	TBA (TBA)
Shipping Weight	TBA (TBA)

## ELECTRICAL SPECIFICATION

Minimum Impedance	7 Ohm
Nominal Impedance	8 Ohm
Nominal Power Handling *	1400 W
Maximum Power Handling **	2800 W
Sensitivity (1W/1m)	97 dB
Frequency Range	40÷2500 Hz
Voice Coil Diameter	100 mm (4 in)
Winding Material	Cu
Former Material	Glass Fiber
Winding Depth	31 mm (1.22 in)
Magnetic Gap Depth	15.5 mm (0.31 in)
Flux Density	1.1 T

## THIELE & SMALL PARAMETERS

Fs	35 Hz
Re	5.4 Ohm
Bl	27 N/A
Mms	190 g
Cms	0.1 mm/N
Rms	4.75 Kg/s
Qes	0.31
Qms	8.8
Qts	0.30
Vas	94 dm <sup>3</sup> (3.32 ft <sup>3</sup> )
Sd	780 cm <sup>2</sup> (120.9 in <sup>2</sup> )
Xmax ***	12.9 mm
Xdamage ****	28 mm
Le	1.6 mH
Mmd	177.7 g
Eta Zero	1.26 %

## ORDERING CODES

Push Terminals - 8 Ohm Version	TBA
Faston Terminals - 8 Ohm Version	TBA

## NOTES

PATENT PENDING

(\* ) 2 Hours Test According to AES 2-1984 Rev. 2003

(\*\* ) Maximum power is defined as 3dB greater than nominal power.

(\*\*\* ) Xmax = [(winding depth - magnetic gap depth) / 2] + (magnetic gap depth / 3)

(\*\*\*\* ) Maximum excursion before permanent damage

# CURVES

---

